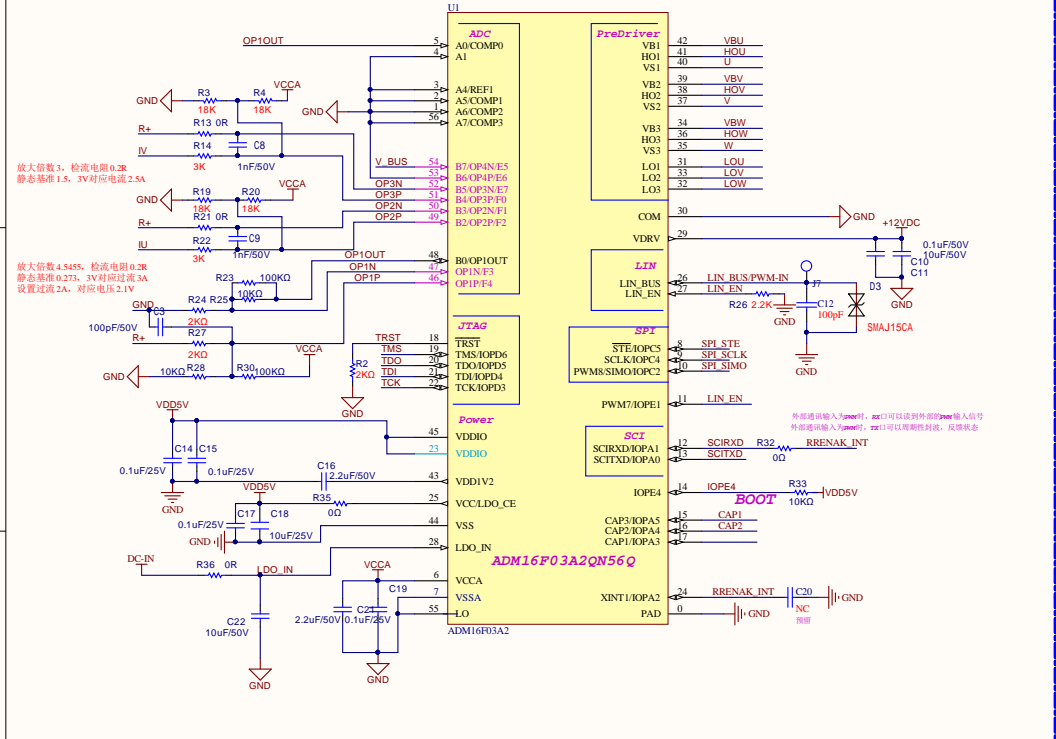
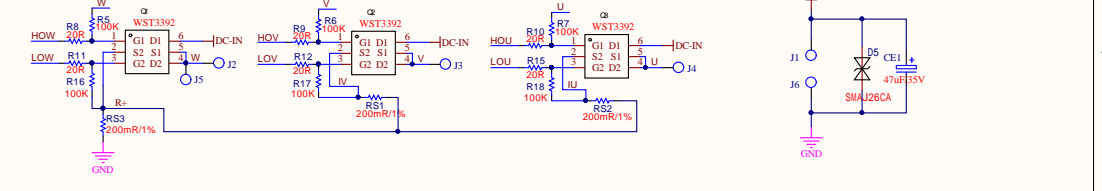


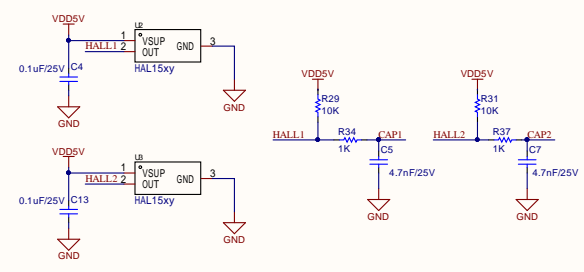
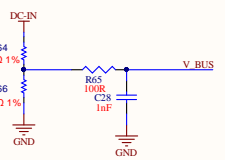
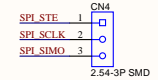
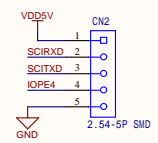
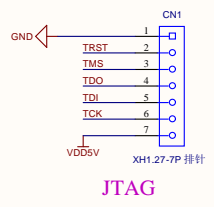
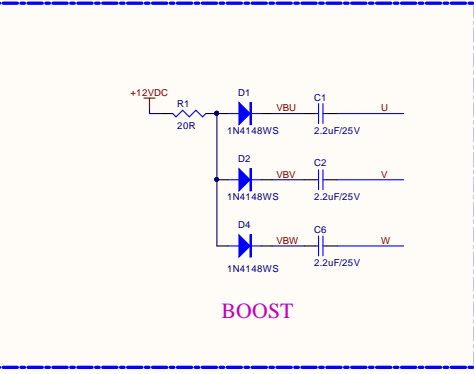
DSP



Motor Drive



BOOST



Title		
Size	Number	Revision
A2		
Date	2024/6/3	Sheet of
File	C:\Users\...Copy of ADM16F03A2_Shun...Board(B)_240510_SchDoc	